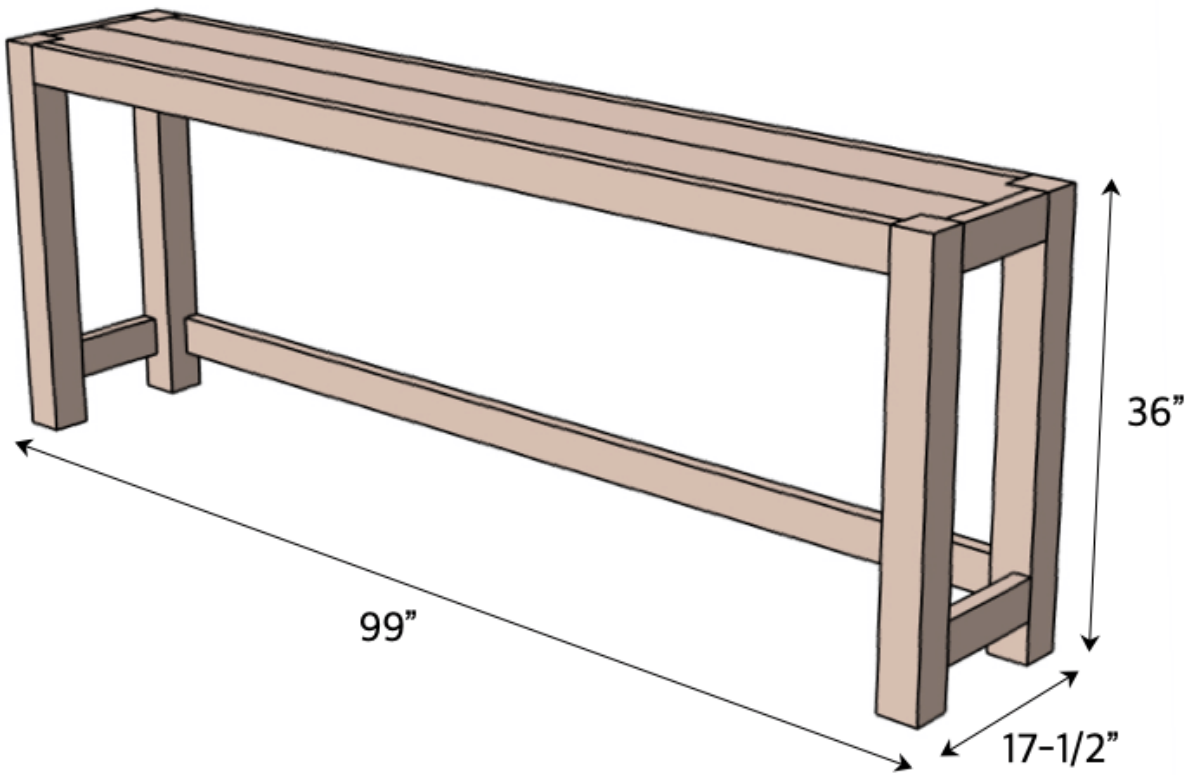


BAR/CONSOLE TABLE

BUILD TIME = 1 DAY | EST. COST TO BUILD = \$50 | SKILL LEVEL = BEGINNER



REQUIRED TOOLS

- Keg Pocket Hole Jig
- Drill/Driver
- Miter Saw
- Jigsaw
- Tape Measure
- Pencil
- Safety Glasses
- Hearing Protection

MATERIALS

- Qty 2 - 4 x 4 x 8' Kiln Dried Posts
- Qty 2 - 2 x 8 x 8' Kiln Dried Lumber
- Qty 4 - 2 x 4 x 8' Kiln Dried Lumber
- Wood Glue (Apply to all joints)
- 2-1/2" Pocket Screws

CUT LIST

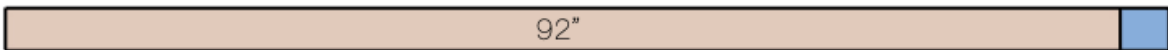
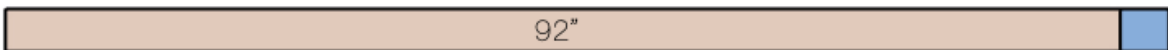
4 x 4 x 8' Posts (Qty 2)



2 x 8 x 8' Boards (Qty 2)

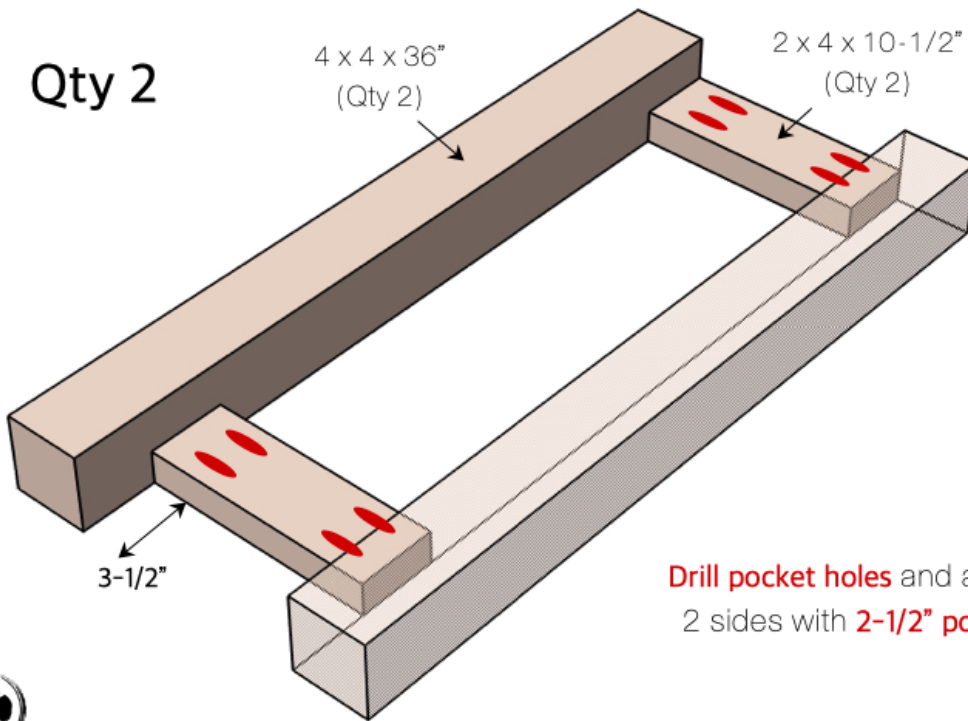


2 x 4 x 8' Boards (Qty 4)



STEP
1

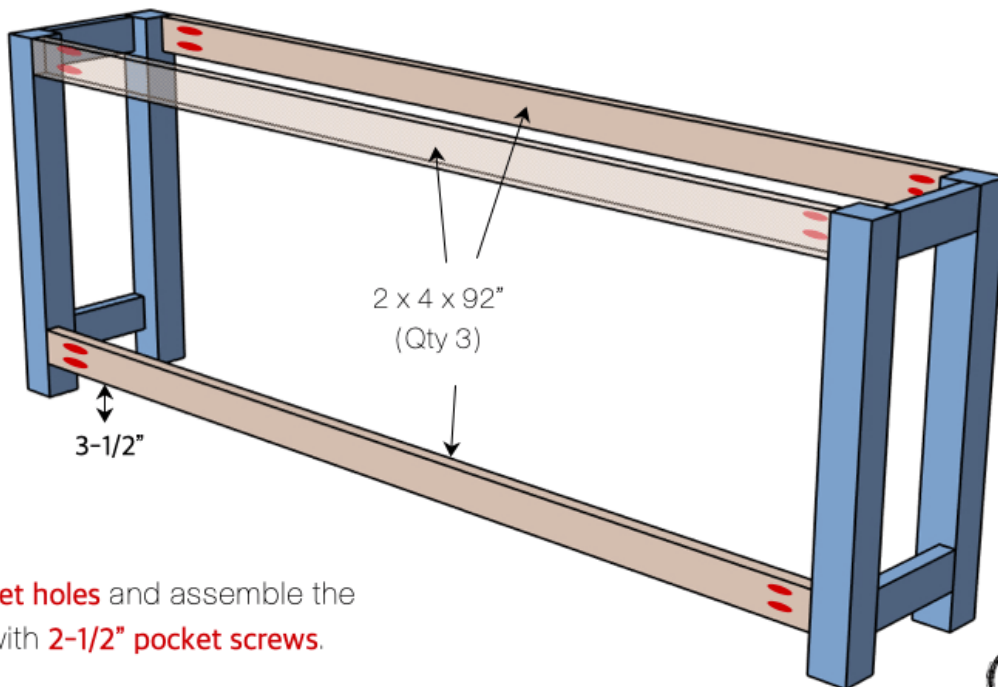
Qty 2



Drill pocket holes and assemble the 2 sides with 2-1/2" pocket screws.



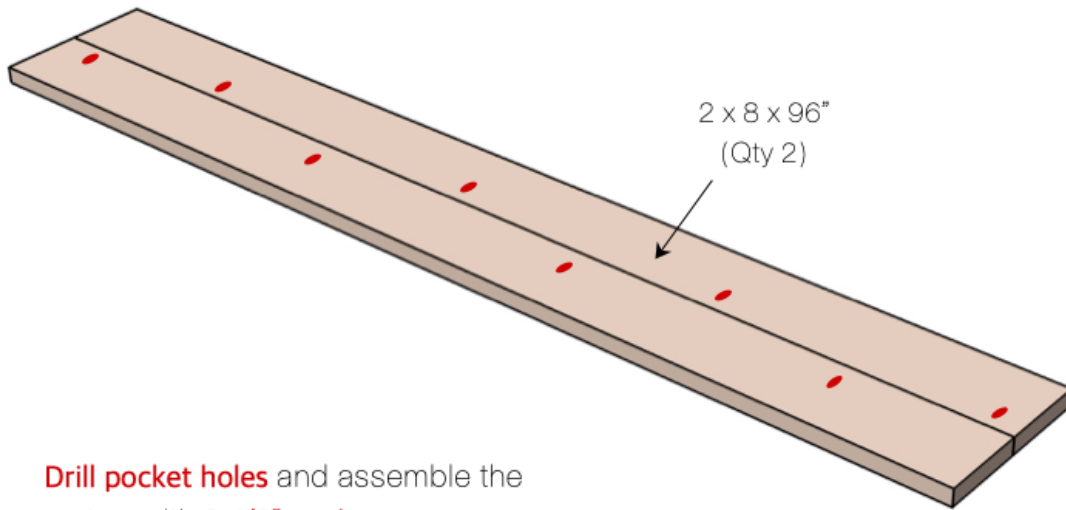
STEP
2



Drill pocket holes and assemble the base with 2-1/2" pocket screws.



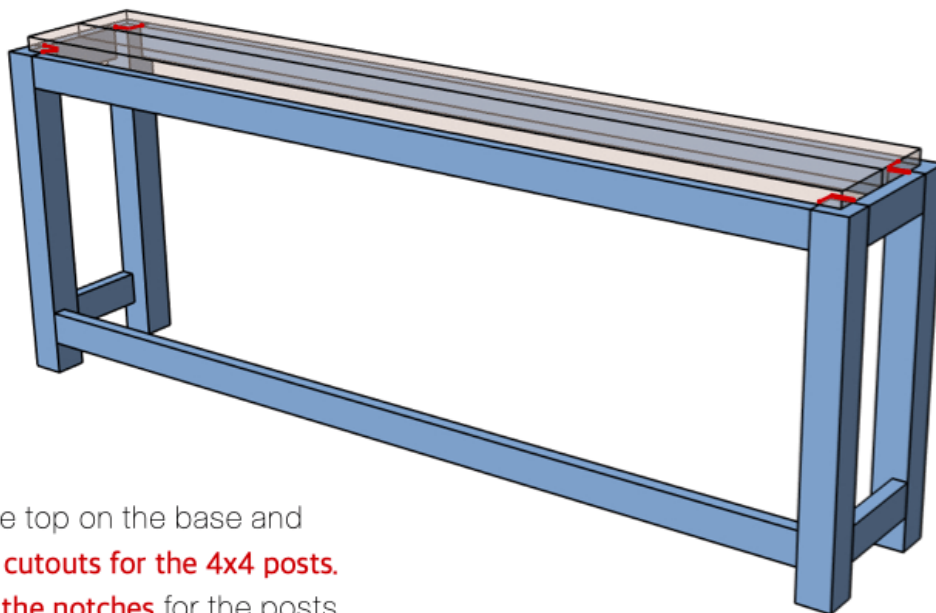
**STEP
3**



Drill **pocket holes** and assemble the top with **2-1/2" pocket screws**.



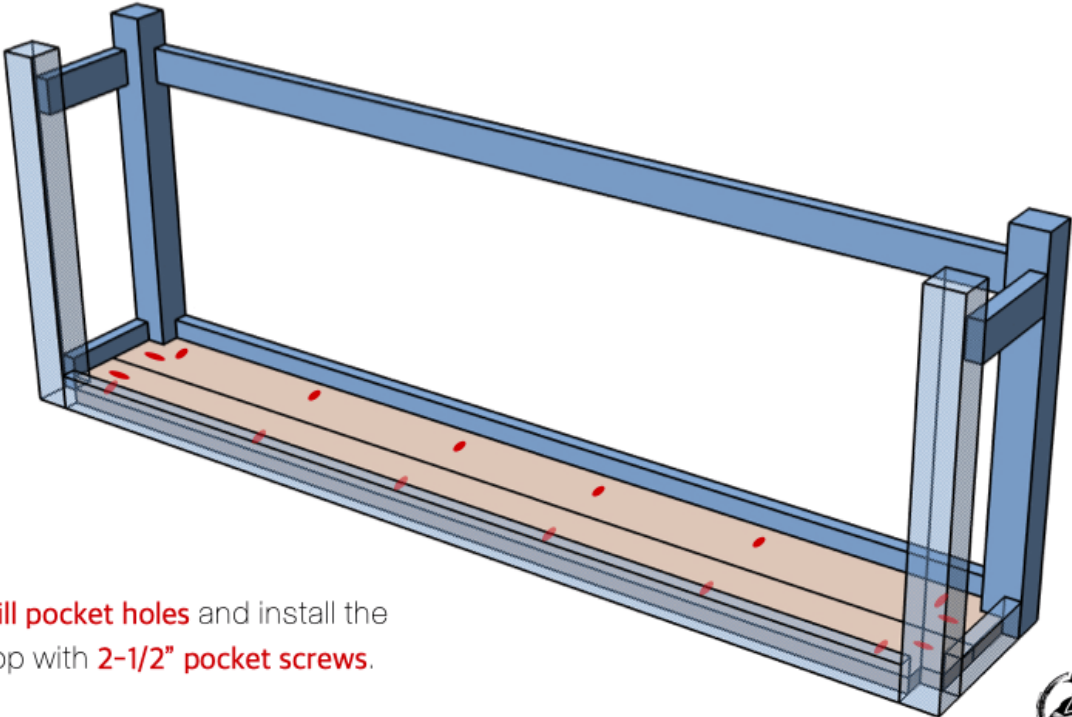
**STEP
4**



Set the top on the base and **mark the cutouts for the 4x4 posts**. Then **cut the notches** for the posts.



STEP
5



Drill pocket holes and install the top with 2-1/2" pocket screws.

